

INSTALLATION INSTRUCTIONS



IMPORTANT

Before opening your Lights.com fixture, please make sure that you carefully read through these instruction sheets. Consider having your fixture installed by a qualified licensed electrician.

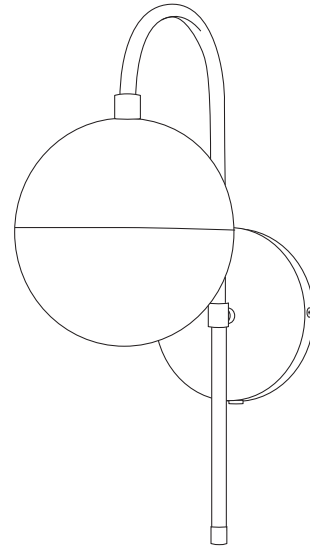
NOTE: The important safeguards and instructions that appear in this manual are not meant to cover all possible conditions and situations that may occur. It must be understood that common sense, caution and care, are factors that can't be built into any product. This approach must be used by the person(s) caring for and operating the fixture.

GENERAL INFORMATION

All electrical connections must be in accordance with all ordinances, local and national electrical codes. These fixtures are intended for mounting to a standard 4" x 2-1/2" metal octagon outlet box. The box must be directly supported by the building structure and U.L. Recognized.

STEP BY STEP INSTRUCTIONS

Before starting your installation disconnect the power by turning off the circuit breaker or by removing the fuse at the fuse box. Just turning the light off at the light switch is not sufficient to prevent electrical shock.



COLLECTION

Powell

APPLICATION

Wall Sconce

MODEL NO.

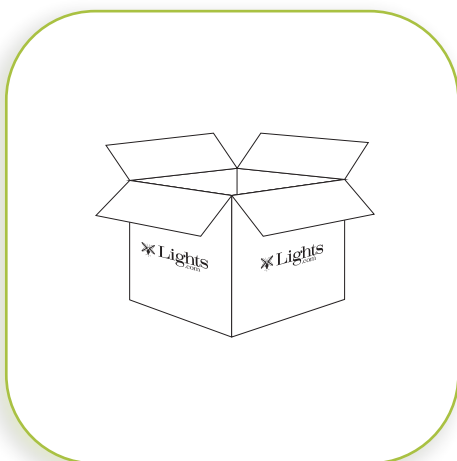
LC003557
LC003558
LC003559
LC004591

WHAT WE PROVIDE

- Mounting and Wiring Hardware
- Optional Cord Plug and Dimmer
- Wall Anchor Kit
- Glass Shade
- 1 x G9 Bulb

WHAT YOU NEED

- Phillips Screwdriver
- Wire Cutters
- Wiring Supplies as Specified by Electrical Code
- Electrical Tape

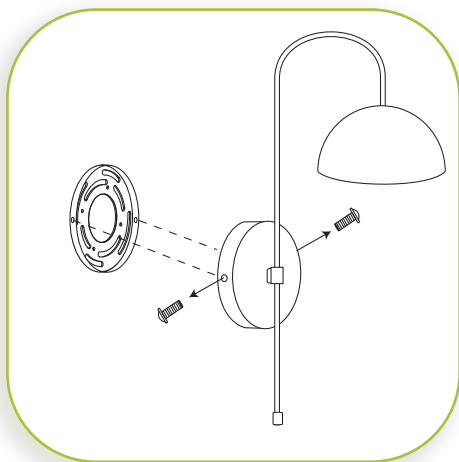


1

UNPACK FIXTURE

HARDWIRE

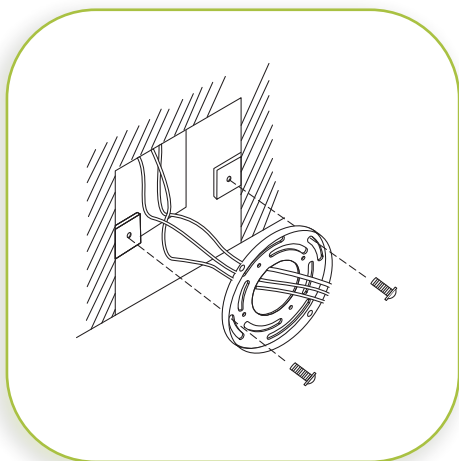
Please note the following parts will not be required for hardwire installation: cord, plug and dimmer, wall anchor kit.



2

PREPARE FIXTURE AND MOUNTING PLATE

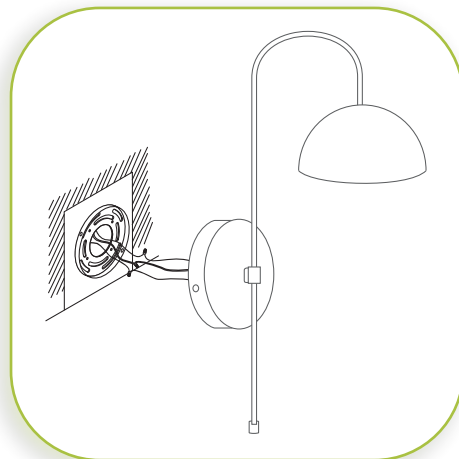
Remove the mounting plate by unscrewing the side screws from the backplate.



3

INSTALL THE MOUNTING PLATE

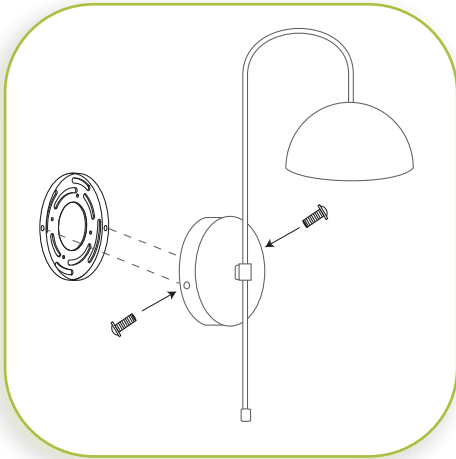
If there is an existing fixture, remove it. Expose the supply wires from the J-Box. Insert supply wires through the mounting plate. Secure mounting plate using two Phillips head screws provided. Tighten to secure.



4

MAKE WIRE CONNECTIONS

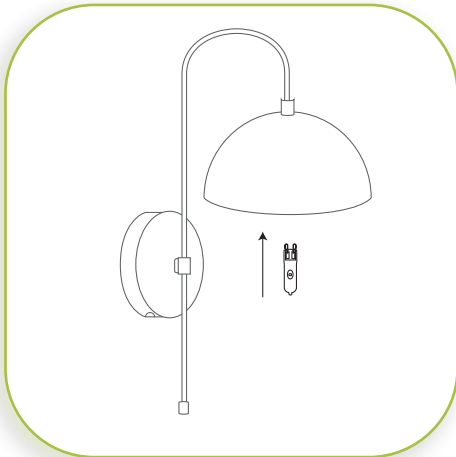
Connect the BLACK fixture wire to the BLACK supply wire and the WHITE fixture wire to the WHITE supply wire. Connect the fixture ground wire to the J-BOX ground wire or wrap around one of the protruding screws on the mounting plate. Secure all connections with the supplied wire nuts and electrical tape (not supplied).



5

CONNECT FIXTURE TO WALL

Place backplate over mounting plate. Slightly adjust to align two holes. Secure using supplied screws.



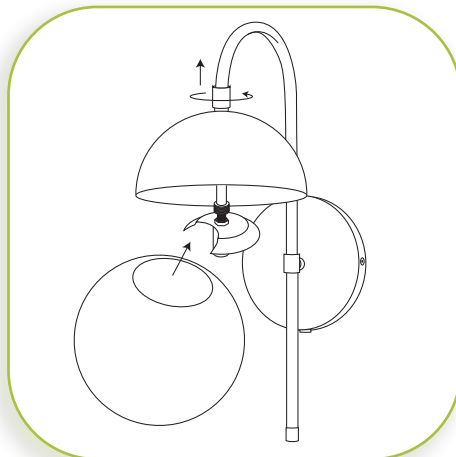
6

INSTALL THE BULB

Install the bulb.

MAXIMUM WATTAGE 60W.

DO NOT EXCEED THE WATTAGE AS STATED ON THE WARNING LABEL.

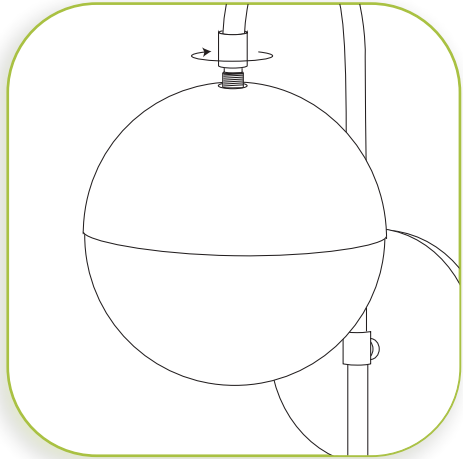


7

INSTALL GLASS

NOTE: Be careful to not scratch the rod when sliding the metal shade up and down.

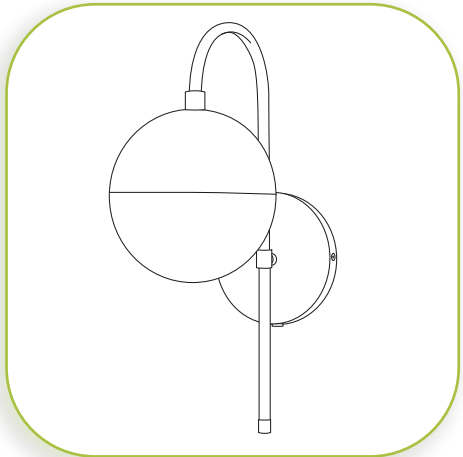
Unscrew decorative nut, above the metal shade, counter-clockwise. Slide metal shade along with the decorative nut up the rod. Insert glass onto one side of glass holder (metal bracket above socket). Next, shift angle of glass shade to insert the opposite side of glass into the holder.



8

SECURE METAL SHADE

Gently place metal shade over glass. Thread decorative nut on clockwise. Hand tighten to secure.



9

RESTORE THE ELECTRICITY AND CHECK THE OPERATION OF YOUR NEW FIXTURE

CAUTION

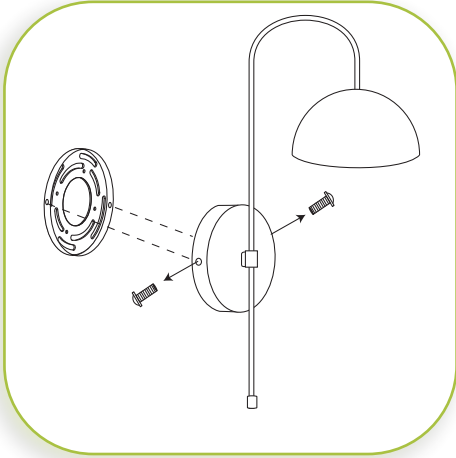
Please ensure that the fitting is cool and switched off before replacing the bulb. DO NOT use bulbs that might exceed the maximum wattage, stated on caution label.

DIMMER NOTE

For the best lighting experience, we recommend using a dimmer. Not only does this allow you to create a great ambiance, it allows for energy savings and extends the life of the LEDs.

PLUG-IN

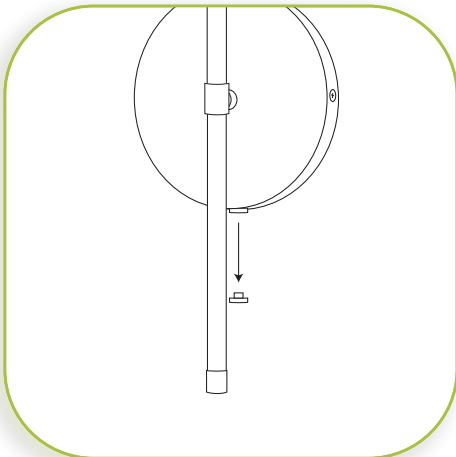
Please follow these steps for plug-in installation.



2

PREPARE FIXTURE AND MOUNTING PLATE

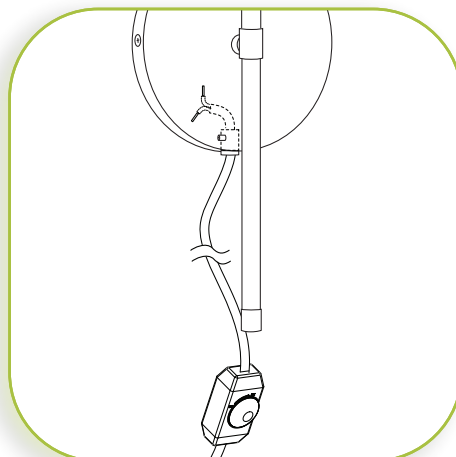
Remove the mounting plate by unscrewing the side screws from the backplate.



3

REMOVE DECORATIVE NUT

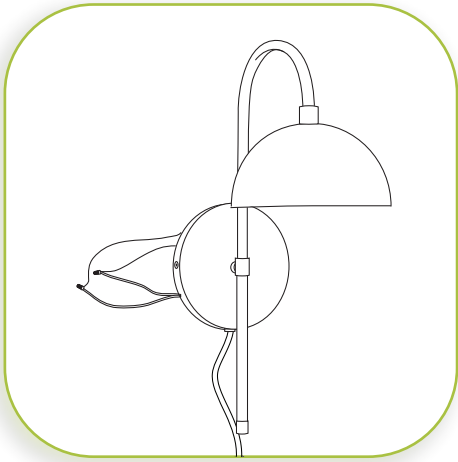
Remove decorative nut on the bottom of the backplate. Replace with alternative decorative nut with hollow center hole.



4

THREAD WIRE

Thread loose end of wire through hole in decorative nut until 6" of wire is exposed inside the backplate. Using a Phillips head screwdriver, gently tighten clear set screw inside bottom of backplate, preventing wire from being pulled out of backplate.



5

CONNECT THE WIRES

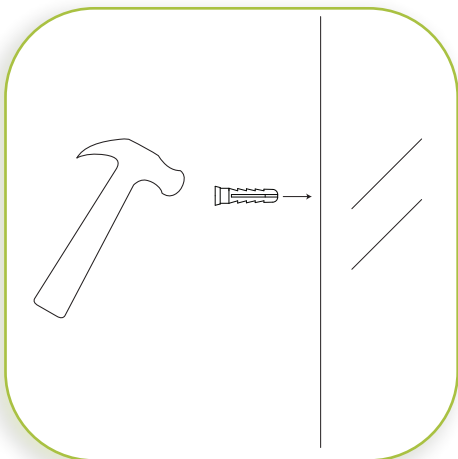
Connect the BLACK fixture wire with one end of the plug wire. Connect the WHITE fixture wire to the other end of the plug wire. Use supplied wire nuts to secure. Secure all wire connections with electrical tape (not supplied). Tuck all wires carefully into backplate.



6

MARK HOLES IN THE WALL

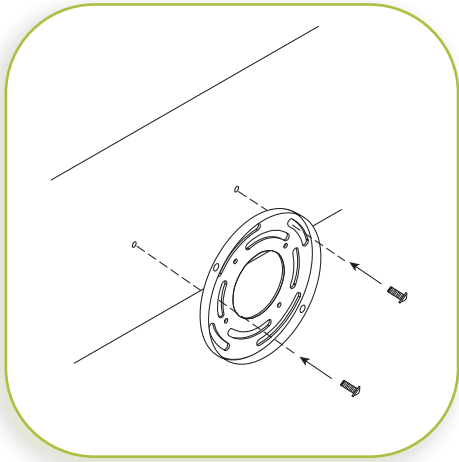
Determine exact location on wall to mount fixture. Hold mounting plate on the wall and mark two holes that will be used to install anchors and screws. Set mounting plate aside.



7

MOUNT THE ANCHORS

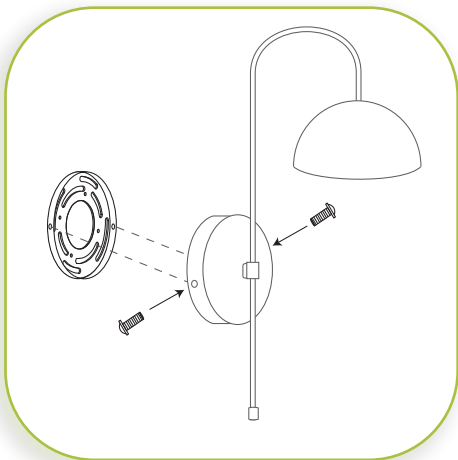
Make two holes in wall just large enough to allow wall anchors to be recessed. Gently hammer wall anchors into holes until flush with wall.



8

SECURE THE MOUNTING PLATE

Secure mounting plate to wall. Re-align mounting plate with wall anchors; secure with two screws provided. Prior to tightening, please make any minor adjustments needed.



9

CONNECT FIXTURE TO WALL

Place backplate over mounting plate. Slightly adjust to align two holes. Secure using supplied screws.



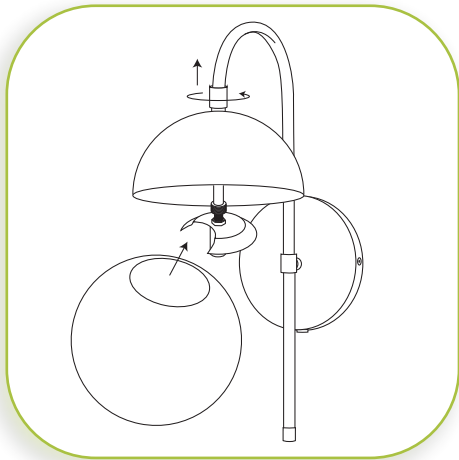
10

INSTALL THE BULB

Insert the bulb.

MAXIMUM WATTAGE 60W.

DO NOT EXCEED THE WATTAGE AS STATED ON THE WARNING LABEL.

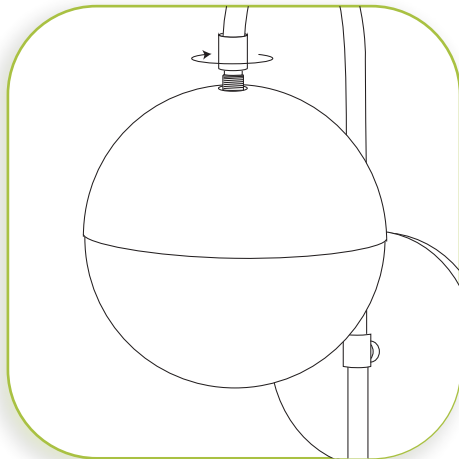


11

INSTALL GLASS

NOTE: Be careful to not scratch the rod when sliding the metal shade up and down.

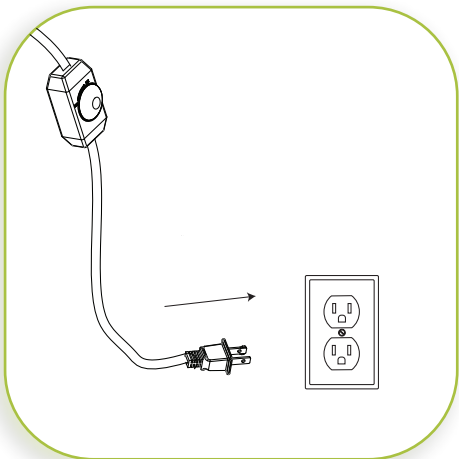
Unscrew decorative nut, above the metal shade, counter-clockwise. Slide metal shade along with the decorative nut up the rod. Insert glass onto one side of glass holder (metal bracket above socket). Next, shift angle of glass shade to insert the opposite side of glass into the holder.



12

SECURE METAL SHADE

Gently place metal shade over the glass. Thread decorative nut on clockwise. Hand tighten to secure.



13

PLUG IN FIXTURE.

RESTORE THE ELECTRICITY AND CHECK THE OPERATION OF YOUR NEW FIXTURE

DIMMER NOTE

Lamp is equipped with an in-line dimmer switch. For the best lighting experience, we recommend using this. Not only does this allow you to create a great ambiance, it allows for energy savings and extends the life of the bulbs.