

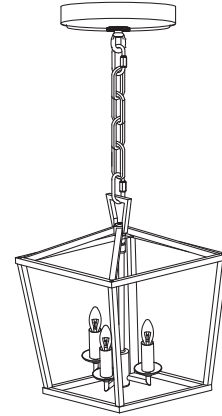
# INSTALLATION INSTRUCTIONS



## IMPORTANT

Before opening your Lights.com fixture, please make sure that you carefully read through these instruction sheets. Consider having your fixture installed by a qualified licensed electrician.

**NOTE:** The important safeguards and instructions that appear in this manual are not meant to cover all possible conditions and situations that may occur. It must be understood that common sense, caution and care, are factors that can't be built into any product. This approach must be used by the person(s) caring for and operating the fixture.



## COLLECTION

Anover

## APPLICATION

Pendant

## MODEL NO.

LC004971

LC004972

LC004973

## GENERAL INFORMATION

All electrical connections must be in accordance with all ordinances, local and national electrical codes. These fixtures are intended for mounting to a standard 4" x 2-1/2" metal octagon box. The box must be directly supported by the building structure and U.L. Recognized.

## STEP BY STEP INSTRUCTIONS

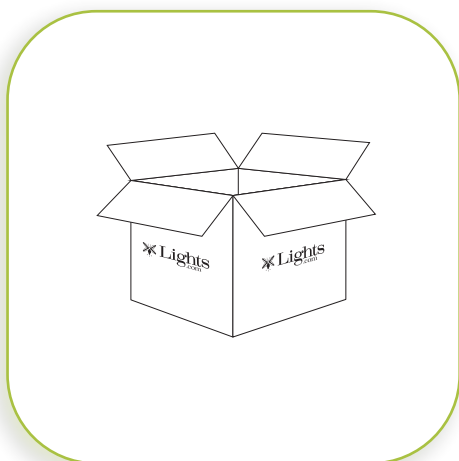
Before starting your installation disconnect the power by turning off the circuit breaker or by removing the fuse at the fuse box. Just turning the light off at the light switch is not sufficient to prevent electrical shock.

## WHAT WE PROVIDE

- Mounting & Wiring Hardware
- Canopy Kit
- 6 Ft. Chain
- Canopy & Fixture Loop w/ Collar Ring

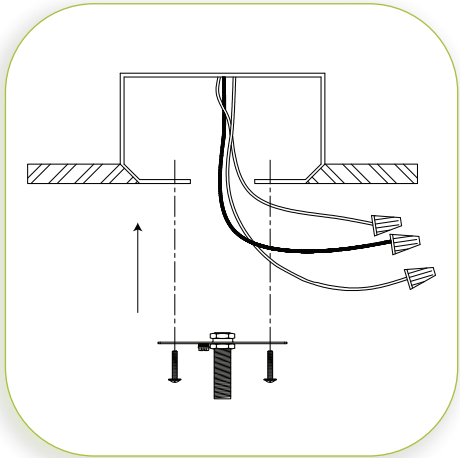
## WHAT YOU NEED

- Phillips Screwdriver
- Wire Cutters
- Chain Pliers
- Wiring Supplies as Specified by Electrical Code
- Electrical Tape
- 3x 40W E12 Bulbs



# 1

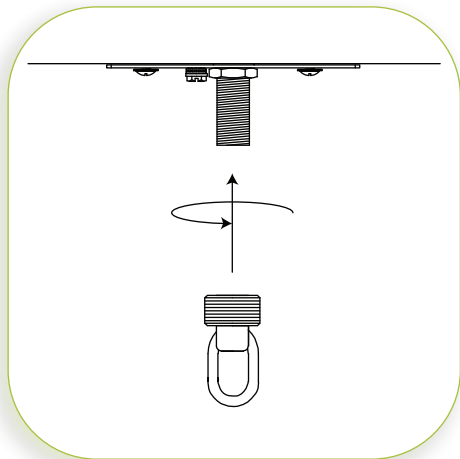
## UNPACK YOUR FIXTURE



# 2

### INSTALL MOUNTING BAR

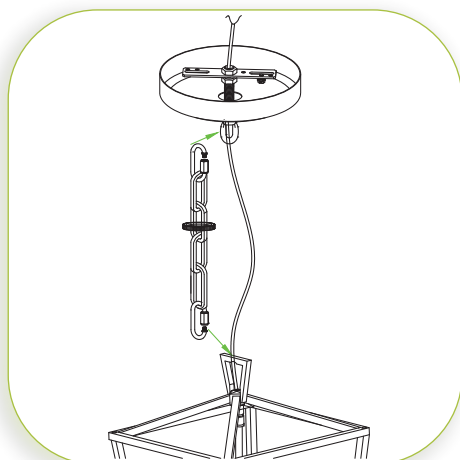
If there is an existing fixture, remove it. Expose the supply wires from the J-box. Secure mounting bar using two Phillips head screws provided. Hand tighten to secure.



# 3

### INSTALL SCREW COLLAR LOOP

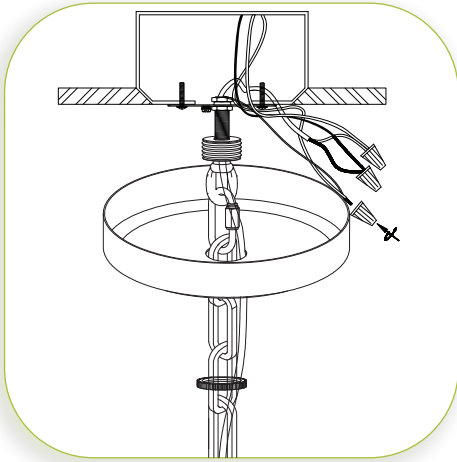
Attach screw collar loop onto the threaded nipple that is attached to the mounting bar.



# 4

### DETERMINE HEIGHT

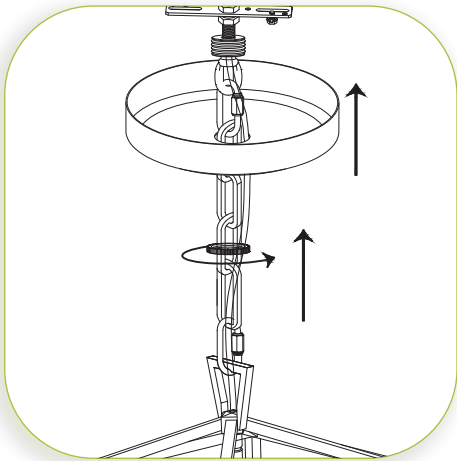
Measure fixture to desired height. Attach the chain link that you have decided will be the upper link to the top adjustable chain link. Slide the screw collar ring and canopy, in that order, over the chain. Attach the top adjustable chain link to the screw collar loop and the bottom adjustable chain link to the fixture loop. Then, close adjustable chain links. Push the fixture wires through the center of the screw collar ring, canopy, and screw collar loop, up through the threaded nipple. Cut power supply cord leaving at least 12" to 18" above the canopy for minor adjustments.



# 5

### MAKE WIRE CONNECTIONS

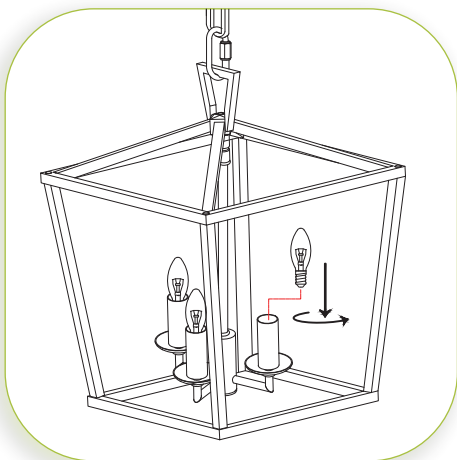
Connect BLACK fixture wire to the BLACK supply wire and WHITE fixture wire to the WHITE supply wire. Connect the fixture GROUND wire to the J-Box GROUND wire. Secure all connections with the supplied wire nuts and electrical tape (not supplied). Tuck all wires carefully into the J-Box.



# 6

### INSTALL CANOPY

Raise the canopy against the ceiling and install the screw collar ring to the screw collar and tighten to secure. **Note: Canopy must be held flush with the ceiling and completely cover the junction box.**



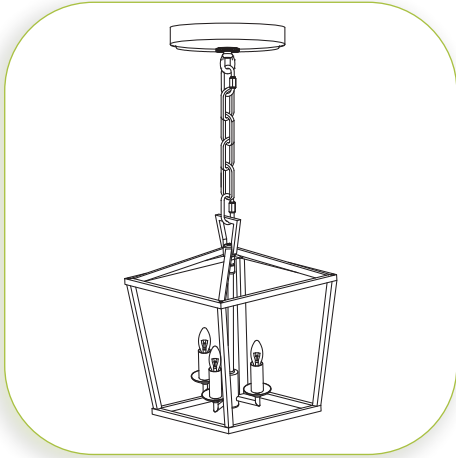
# 7

### INSTALL THE BULBS

Insert the bulbs.

MAXIMUM WATTAGE 40W per socket.

DO NOT EXCEED THE WATTAGE AS STATED ON THE WARNING LABEL.



8

**RESTORE THE ELECTRICITY AND CHECK  
THE OPERATION OF YOUR NEW FIXTURE**

**CAUTION**

Please ensure that the fitting is cool and switched off before replacing the bulb. DO NOT use bulbs that might exceed the maximum wattage, stated on caution label.

**DIMMER NOTE**

For the best lighting experience, we recommend using a dimmer. Not only does this allow you to create a great ambiance, it allows for energy savings and extends the life of the bulbs.