

INSTALLATION INSTRUCTIONS



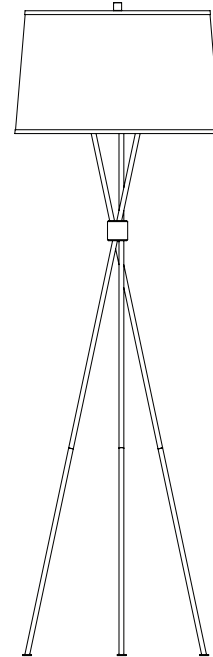
IMPORTANT

Before operating your Lights.com floor lamp, please make sure that you carefully read through these instruction sheets.

NOTE: The important safeguards and instructions that appear in this manual are not meant to cover all possible conditions and situations that may occur. It must be understood that common sense, caution and care, are factors that can't be built into any product. This approach must be used by the person(s) caring for and operating the fixture.

GENERAL INFORMATION

All electrical connections must be in accordance with all ordinances, local and national electrical codes.



COLLECTION

Oliver

APPLICATION

Floor Lamp

MODEL NO.

LC004984

LC004985

LC005010

WHAT WE PROVIDE

- Tri-Frame Floor Lamp

WHAT YOU NEED

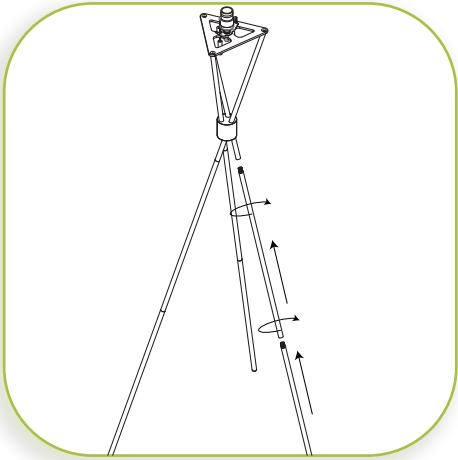
- 1x 3-Way 150W E26 Bulb

STEP BY STEP INSTRUCTIONS



1

UNPACK YOUR FIXTURE

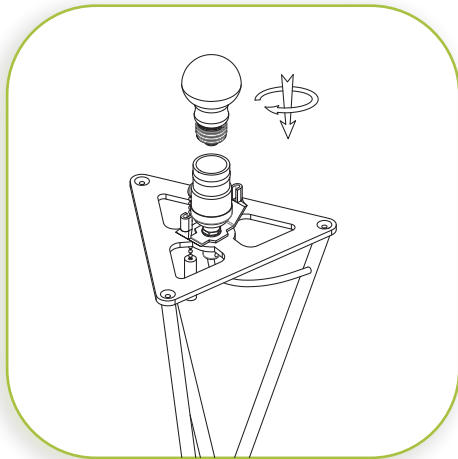


2

INSTALL LAMP RODS

Warning: Do not cross thread the rods or force them together. This will cause damage to the threading.

Connect the rods one by one starting from the top of the lamp.



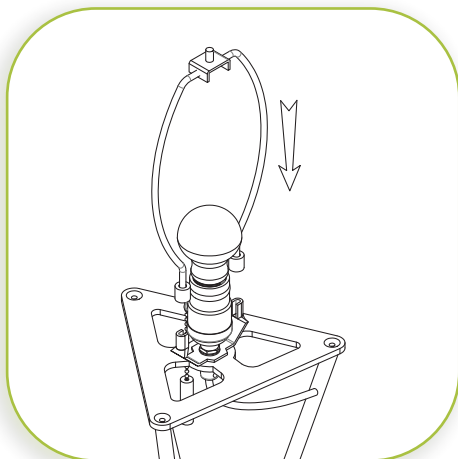
3

INSTALL THE BULBS

Install the bulb.

MAXIMUM WATTAGE 150W.

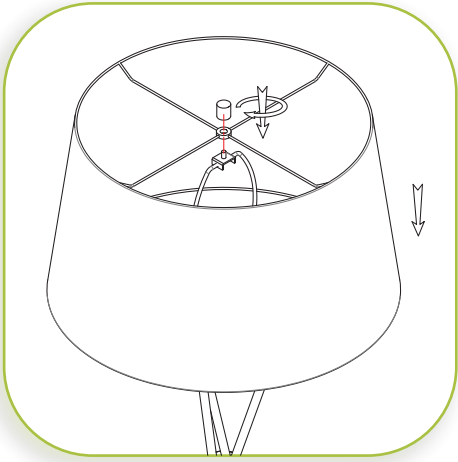
DO NOT EXCEED THE WATTAGE AS STATED ON THE WARNING LABEL.



4

INSTALL THE HARP

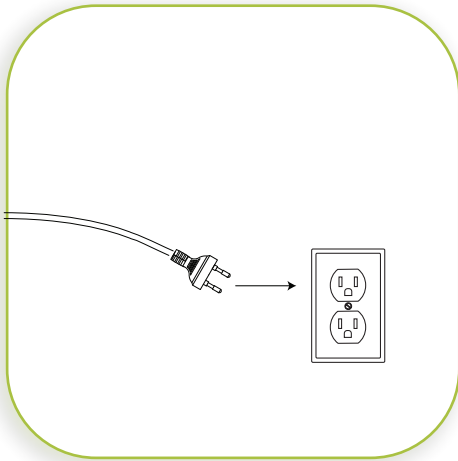
Install the harp by inserting the ends of the harp into the yoke.



5

INSTALL THE LAMPSHADE

Install the shade by placing the shade over the harp nipple and screwing the finial onto the nipple to secure it in place.



6

PLUG IN LAMP