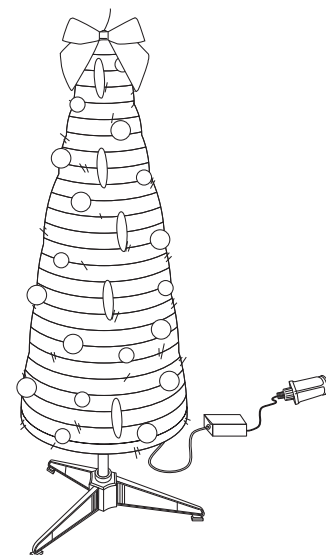




IMPORTANT

Before using your Lamplust Carroll 4FT Pre-Lit Slim Pop-Up Decorated Tree, make sure that you carefully read through these instruction sheets.

NOTE: The important safeguards and instructions that appear in this manual are not meant to cover all possible conditions and situations that may occur. It must be understood that common sense, caution, and care are factors that cannot be built into any product. This approach must be used by the person(s) caring for and operating the tree.



GENERAL INFORMATION

The tree is suited for indoor use only. DO NOT attempt to replace or repair any damaged cable parts. After use, ensure the tree is clean and dry before storage.

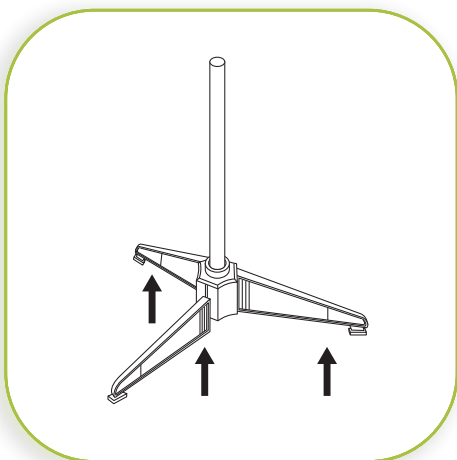
DO NOT DISPOSE IN FIRE. Please dispose at your local recycling facility.

STEP BY STEP INSTRUCTIONS

Before using your tree, remove packaging. When setting up your tree, carefully position cables to avoid a tripping hazard. The Pop-Up Tree comes pre-lit and pre-dressed with baubles and bow ornaments in collapsed construction.

WHAT WE PROVIDE

- 4-ft. Pre Lit Slim Pop Up Decorated Tree
- 100 Warm White LEDs
- 1 Ribbon Topper
- 10 Red Shiny Ball Ornaments
- 8 Gold Glitter Ball Ornaments
- 6 Green Matte Finial Ornaments
- 3 Plastic Support Feet
- 1 Base & 3 Trunk Frame Tubes
- Plug-in Power Supply w/ 6-hour Timer



1

ASSEMBLE BASE

Attach the 3 support feet into the slots on the side of the base.



2

ASSEMBLE TRUNK FRAME TUBES

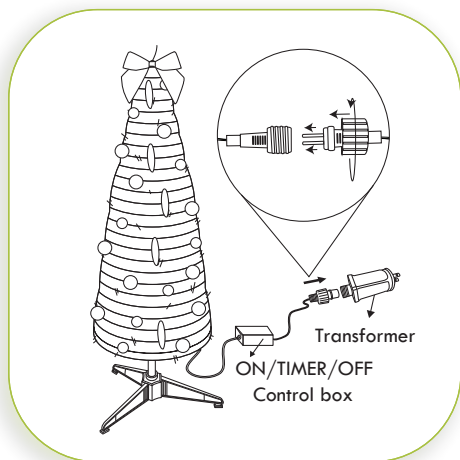
Locate the three connectable trunk frame tubes and join these together making one main trunk frame.



3

INSTALL TREE

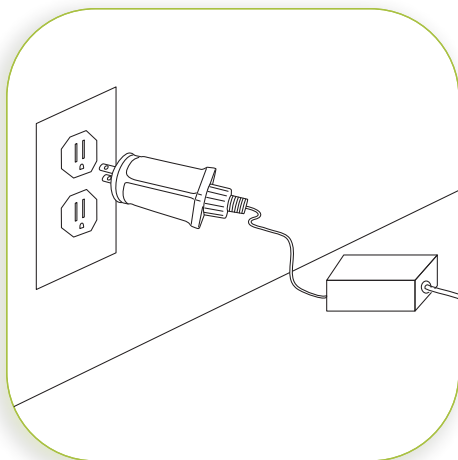
Carefully fit tree over the top of the trunk frame - ensuring that the top of the frame fits over and within the inner central rim of the tree. Carefully let the actual tree drop towards the ground, around the inner trunk frame. The tree will now be in its assembled form ready for use.



4

CONNECT POWER SOURCE TO TREE

Carefully move the tree to your preferred position (ensuring that it is positioned on a rigid and level surface). Connect the wire coming from the tree to the transformer and ensure the gasket is secured tightly in place.



5

ON/TIMER/OFF

Insert the plug into your wall outlet to illuminate the tree. Press the button once to turn on the tree with no timer. Press the button again to activate the 6-hour timer. Once set, the tree will turn on and off at the same time each day. Press the button a third time to turn off the tree. NOTE: The LED lights are sealed units and not user replaceable.

WARNING

This pre-lit tree is for INDOOR use ONLY. The tree stand must be placed on a flat rigid surface.

- Do not operate this product whilst in packaging.
- Disconnect from the mains supply when not in use.
- Do not operate in a confined space or allow to come into contact with any flammable materials.
- Do not allow any part of this set to come into contact with direct heat or flame.
- The transformer is a sealed unit, do not attempt to open or tamper with it.
- There are no user replaceable parts to this product.
- Please keep a free flow of air around the transformer.