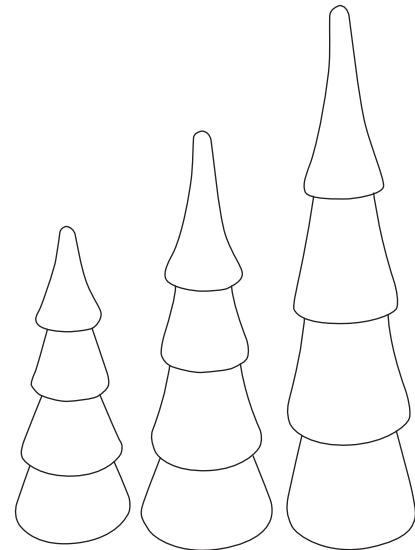




IMPORTANT

Before operating your LampLust Juniper Glass Trees, please make sure that you carefully read through these instruction sheets.

NOTE: The important safeguards and instructions that appear in this manual are not meant to cover all possible conditions and situations that may occur. It must be understood that common sense, caution and care are factors that can't be built into any product. This approach must be used by the person(s) caring for and operating the glass trees.



GENERAL INFORMATION

Battery installation should only be performed by an adult. Only batteries of the same or equivalent type as recommended should be used. Battery leakage can cause corrosion and damage to this product so please remove non-functioning batteries immediately. Remove batteries from the product during long periods of non-use.

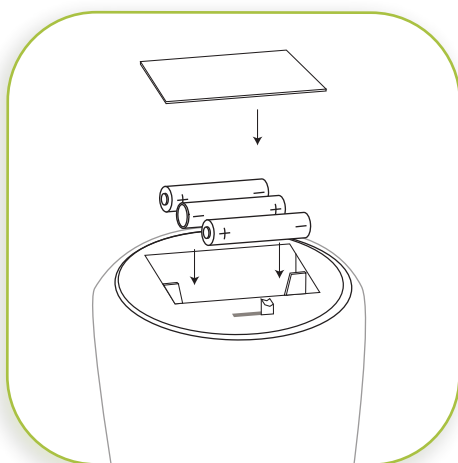
DO NOT DISPOSE OF IN FIRE. Please dispose at your local recycling facility.

WHAT WE PROVIDE

- 3 Juniper Glass Trees, Silver
- 9 AAA Batteries (3 Per Tree)

STEP BY STEP INSTRUCTIONS

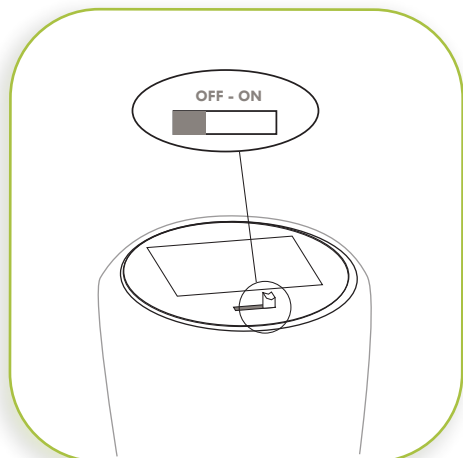
Before turning on the trees, **locate the batteries on the inside of the styrofoam packaging.** Then, remove the plastic from around the batteries and insert them into the battery compartment (located on the bottom of the trees).



1

BATTERY INSTALLATION

The trees work with 3 x AAA batteries (included). Batteries should be inserted with the correct polarity as indicated (+/-) and battery compartments secured before use.



2

SWITCH OPTIONS

The OFF/ON switch is located on the bottom of the trees, below the battery compartment. To maximize battery life, manually turn off the trees at the switch during long periods of non-use.