

INSTALLATION INSTRUCTIONS



IMPORTANT

Before opening your Lights.com fixture, please make sure that you carefully read through these instruction sheets. Consider having your fixture installed by a qualified licensed electrician.

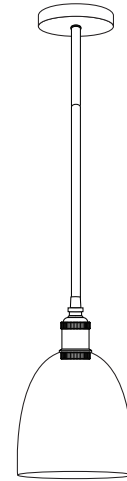
NOTE: The important safeguards and instructions that appear in this manual are not meant to cover all possible conditions and situations that may occur. It must be understood that common sense, caution and care, are factors that can't be built into any product. This approach must be used by the person(s) caring for and operating the fixture.

GENERAL INFORMATION

All electrical connections must be in accordance with all ordinances, local and national electrical codes. These fixtures are intended for mounting to a standard 4" x 2-1/2" metal octagon outlet box. The box must be directly supported by the building structure and U.L. Recognized.

STEP BY STEP INSTRUCTIONS

Before starting your installation, disconnect the power by turning off the circuit breaker or by removing the fuse at the fuse box. Just turning the light off at the light switch is not sufficient to prevent electrical shock.



COLLECTION

Alton

APPLICATION

Pendant

MODEL NO.

LC004675

LC004676

LC004677

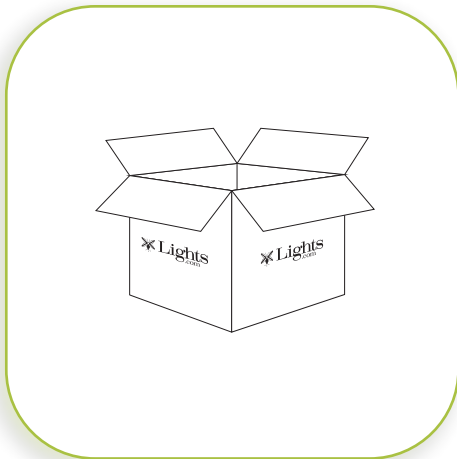
LC004678

WHAT WE PROVIDE

- Mounting & Wiring Hardware
- Canopy Kit
- Alton Pendant
- Glass Shade
- Six 6" and Nine 12" Rods

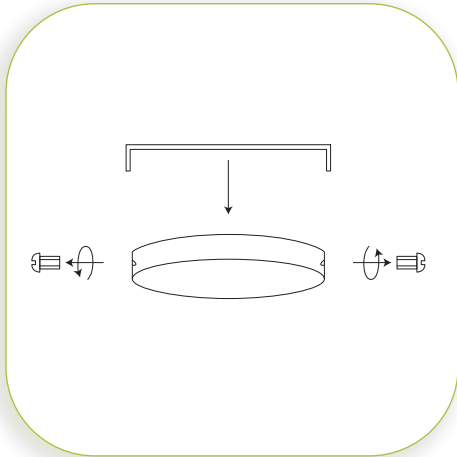
WHAT YOU NEED

- Phillips Screwdriver
- Wire Cutters
- Wiring Supplies as Specified by Electrical Code



1

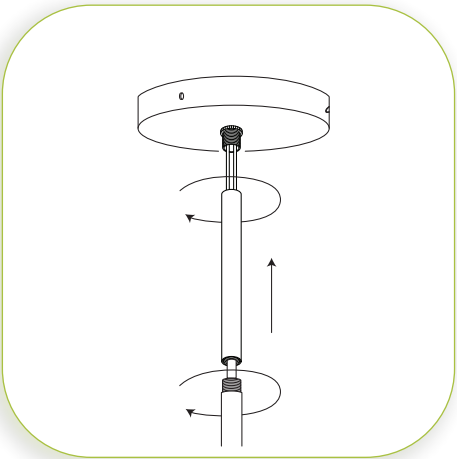
UNPACK YOUR FIXTURE



2

PREPARE FIXTURE & MOUNTING PLATE

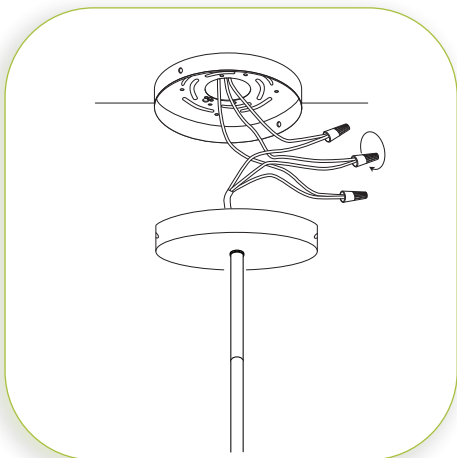
Remove the mounting plate from the canopy by unscrewing the side screws from the canopy.



3

DETERMINE DESIRED HEIGHT

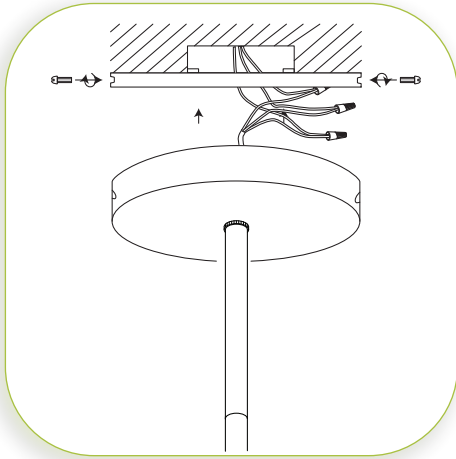
Measure fixture to desired height. Please note this must be done in 6" increments. Once determined, connect the rods one by one to the top of the pendant. Once rods are connected, thread rods onto the bottom of the canopy. Cut power supply leaving at least 12"-18" above, for minor adjustments.



4

MAKE WIRE CONNECTIONS

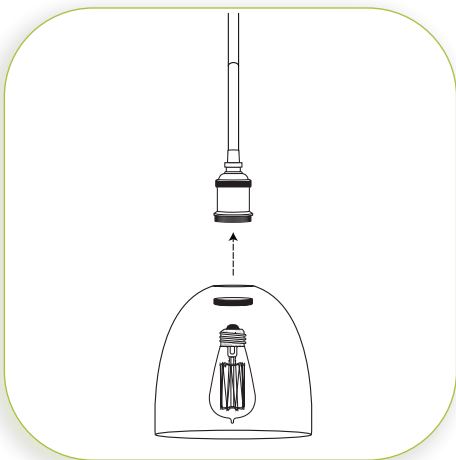
Connect BLACK fixture wire to the BLACK supply wire and the WHITE fixture wire to the WHITE supply wire. Connect the fixture ground wire to the J-Box ground wire or wrap around one of the protruding screws on the mounting plate. Secure all connections with the supplied wire nuts. Secure all wire connections with electrical tape (not supplied). Tuck all wires carefully into the J-Box.



5

INSTALL FIXTURE TO THE MOUNTING PLATE

Position canopy over the mounting plate. Align the holes with the side of canopy and secure with the supplied screws.



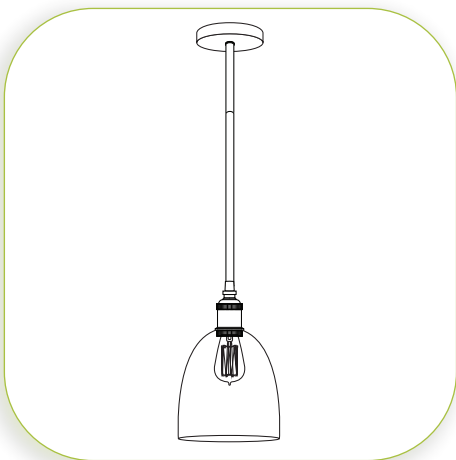
6

INSTALL THE GLASS SHADE AND BULB

Remove the socket ring from the socket. Hold the glass shade up to the socket and secure with the socket ring.

Install the bulb. **MAXIMUM WATTAGE 60W.**

DO NOT EXCEED THE WATTAGE AS STATED ON THE WARNING LABEL.



7

RESTORE THE ELECTRICITY AND CHECK THE OPERATION OF YOUR NEW FIXTURE



DIMMER NOTE

Note: For the best lighting experience, we recommend using a dimmer. Not only does this allow you to create a great ambiance, it allows for energy savings and extends the life of the bulbs.