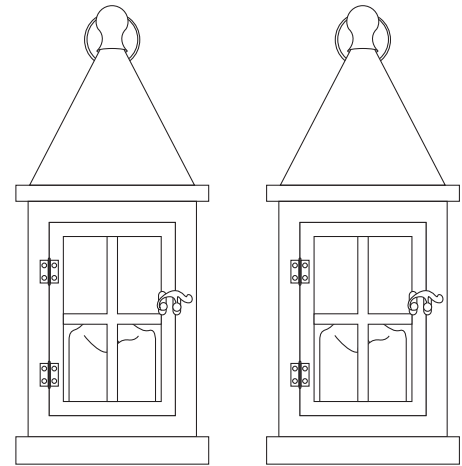




IMPORTANT

Before opening your Lamplust Dover Rustic Tin Wooden Lanterns, please make sure that you carefully read through these instruction sheets.

NOTE: The important safeguards and instructions that appear in this manual are not meant to cover all possible conditions and situations that may occur. It must be understood that common sense, caution and care are factors that can't be built into any product. This approach must be used by the person(s) caring for and operating the lanterns.



GENERAL INFORMATION

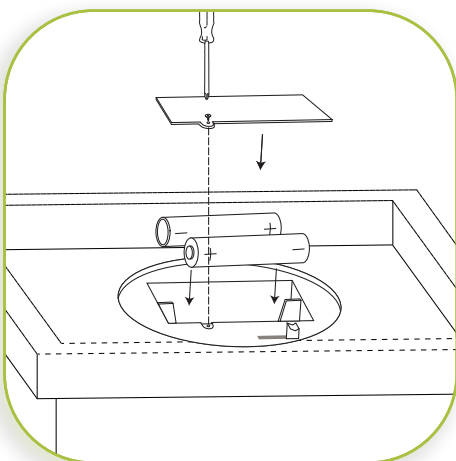
Battery installation should only be performed by an adult. Only batteries of the same or equivalent type as recommended should be used. Battery leakage can cause corrosion and damage to this product so please remove non-functioning batteries immediately. Remove the batteries from product during long periods of non-use. DO NOT DISPOSE OF IN FIRE. Please dispose at your local recycling facility.

WHAT WE PROVIDE

- Two Wooden Lanterns with Built-In Flameless Candles
- 4 AA Batteries (2 Per Candle)
- 8 Button Remote Control

STEP BY STEP INSTRUCTIONS

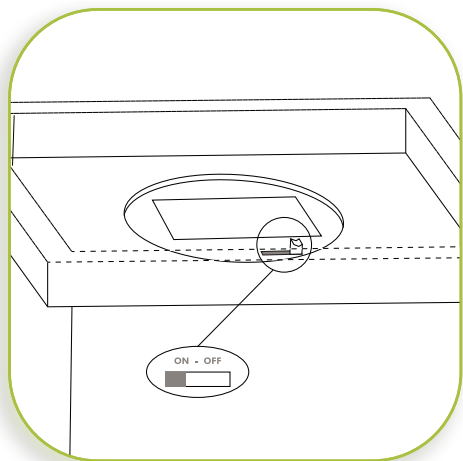
Before turning on your lanterns, **locate the batteries in the packaging.** Then remove the plastic from around the batteries and insert them into the the battery compartment.



1

BATTERY INSTALLATION

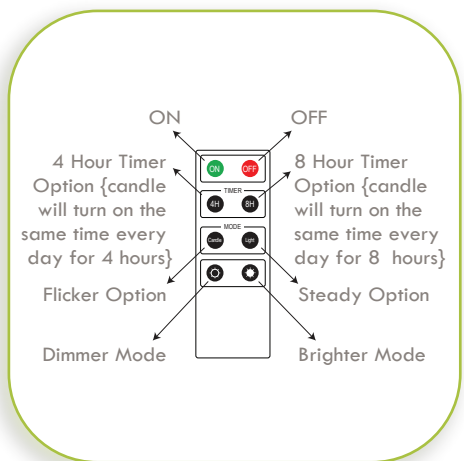
The candles work with 2 x AA batteries (included). The battery compartment is located on the bottom of the lantern. Batteries should be inserted with the correct polarity as indicated (+/-) and battery compartments secured before use.



2

ON/OFF

The on/off switch is located on the bottom of the lantern, next to the battery compartment. Once the switch is turned to the "ON" position it will stay on until it is manually turned to "OFF".



3

REMOTE FUNCTIONS

PLEASE NOTE, DIRECTIONS FOR THIS TIMER DIFFER FROM SOME OF OUR OTHER PRODUCTS.

The lantern switch must be turned to "ON" in order for the remote control to function. In order to set the timer, turn the lantern off using the remote control and then press the desired timer button to set. The lantern will turn on and off at the same time each day once set.