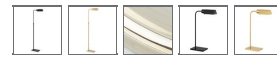
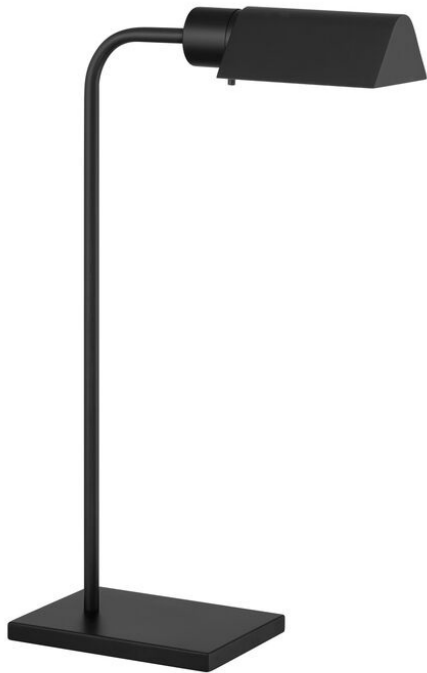


Harrison Pharmacy Table Lamp, Matte Black LC005238

Project Name: _____



- The Harrison Pharmacy Table Lamp features a rectangular base, arched neck supporting the classic prism-shaped shade
- This classic reading light fits standard E26 bulbs, controlled by a convenient on/off switch located next to the metal shade.
- Refined elements and quality finishes make this portable light shine; an elegant yet vintage silhouette, thoughtful materials, with meticulous attention to detail
- Pair with the Harrison Floor Lamp for a flattering, complimentary play within the space. Each piece has been created with distinctive details making the items work well together while keeping each piece's individuality

Certification

ETL, Dry Located

Cord Details

49" Black Fabric Cord

Finishing

Matte Black

Indoor or Outdoor

Indoor Use Only

Installation Options

Plug-In

Lamping Details

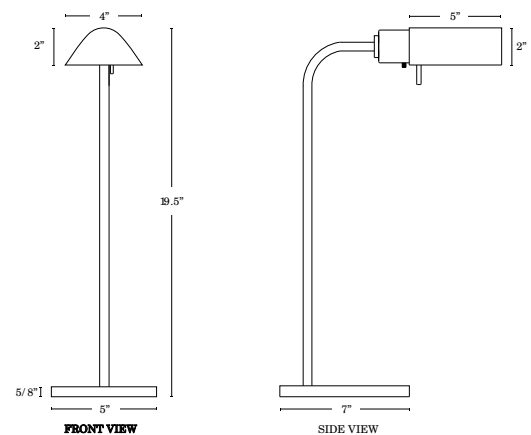
1 x 60W Max, 120V, E26 Bulb
(Not Included)

Product Dimensions

19"H x 12"Depth

Switch Options

On/Off



1.866.490.9358
CS@LIGHTS.COM

[VIEW ONLINE](#)