

## INSTALLATION INSTRUCTIONS



### IMPORTANT

Before using your LampLust Iced Solar Brick Light, please make sure that you carefully read through these instruction sheets.

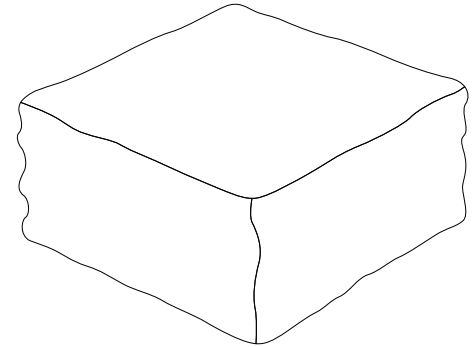
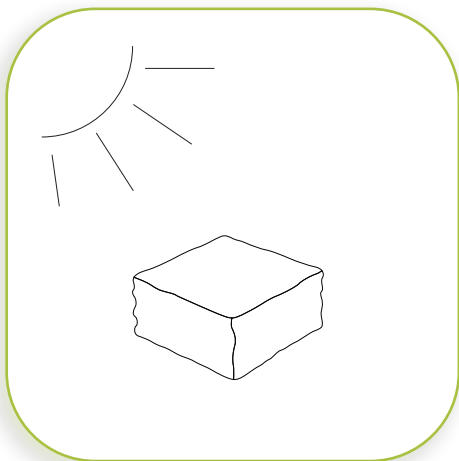
**NOTE:** The important safeguards and instructions that appear in this manual are not meant to cover all possible conditions and situations that may occur. It must be understood that common sense, caution and care are factors that can't be built into any product. This approach must be used by the person(s) caring for and operating the solar brick.

### GENERAL INFORMATION

Battery installation should only be performed by an adult. Only batteries of the same of equivalent type as recommended should be used (rechargeable). Battery leakage can cause corrosion and damage to this product so please remove non-functioning batteries immediately. Remove batteries from product during long periods of non-use. **DO NOT DISPOSE OF IN FIRE.** Please dispose at your local recycling facility.

### STEP BY STEP INSTRUCTIONS

Before operating your solar brick, remove packaging and ensure that the switch on the bottom of the brick has been pressed "ON." The brick must be turned on in order for the battery to charge.



### MODEL NO.

LC003192  
LC003796

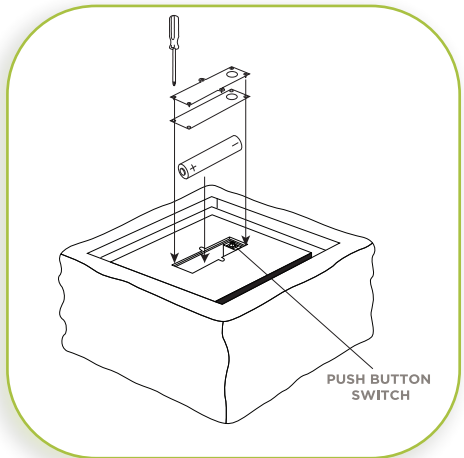
### WHAT WE PROVIDE

- 6" x 6" Iced Solar Brick Light
- 1 AAA 1.2V 700mAh NI-MH Rechargeable Battery (Installed)

### SOLAR CHARGING

Maximum sunlight will give the internal battery the best charge and give you the best results. Position the solar brick out in the open, where it is free from any cover or shade. Avoid proximity to other light sources, which may cause the solar brick to not operate correctly. If using more than one solar brick, allow at least 6 feet between bricks to avoid light interference. The solar brick will not be very bright or long lasting, until the battery is fully charged. **NOTE:** You may charge the battery in a battery charger, or charge it with the solar panel. When using the solar panel, be sure that the battery receives a full day's worth of sunlight before use.

## INSTALLATION INSTRUCTIONS



# 2

### BATTERY REPLACEMENT

Batteries may need replacement every 1-2 years, depending on the operating conditions. To install a new battery, unscrew the panel on the bottom. When installing a new battery, be sure to insert with the correct polarity as indicated (+/-) and secure battery compartment cover before use.

### TROUBLESHOOTING

Solar bricks not operating properly at night may be caused by one of the following conditions:

- The switch may not be pressed to "ON." Ensure that the switch has been pressed in all the way.
- Low light levels during the day, caused by the position in which the light is placed, or lack of sunlight, will shorten the solar brick's operating time at night.
- If the surface of the solar brick is dirty, the charging ability will be reduced. Clean the surface occasionally with a damp cloth.
- The batteries might need to be replaced. In the event that they do need replacing, see "BATTERY REPLACEMENT" above.
- Please note that solar bricks will not function in the daytime or in a brightly lit environment.